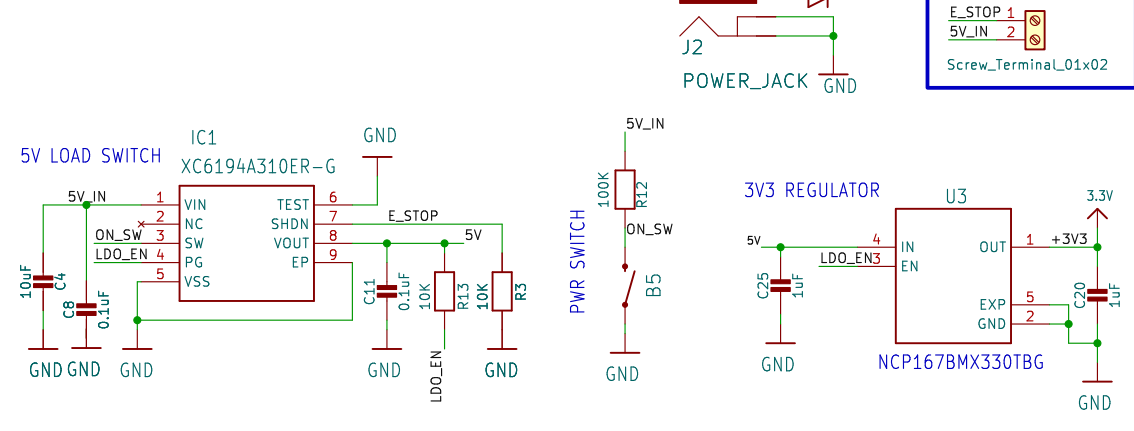
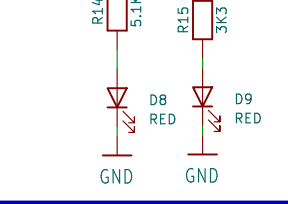


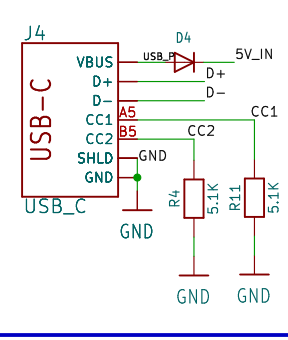
POWER & FILTERING



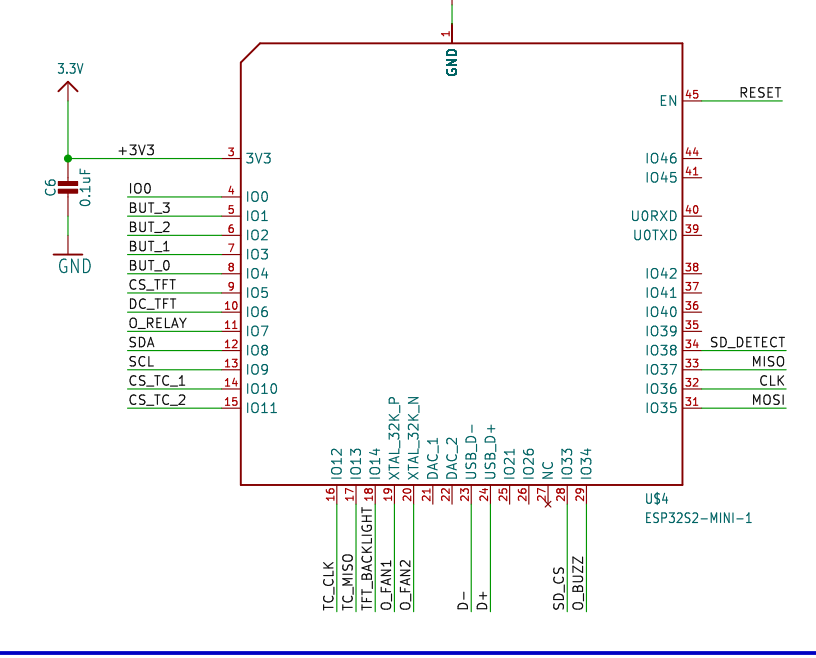
PWR LEADS



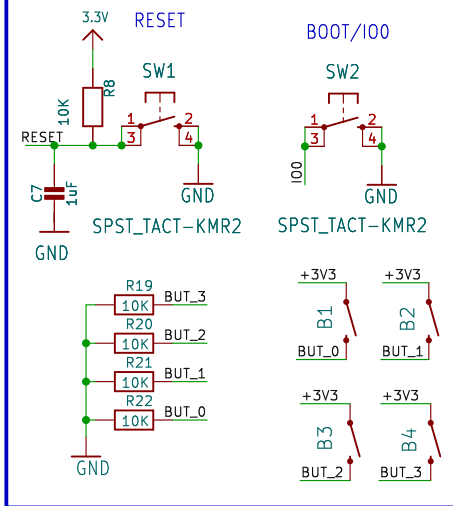
USB



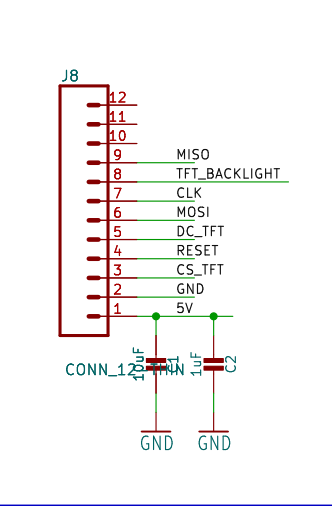
ESP32-S2



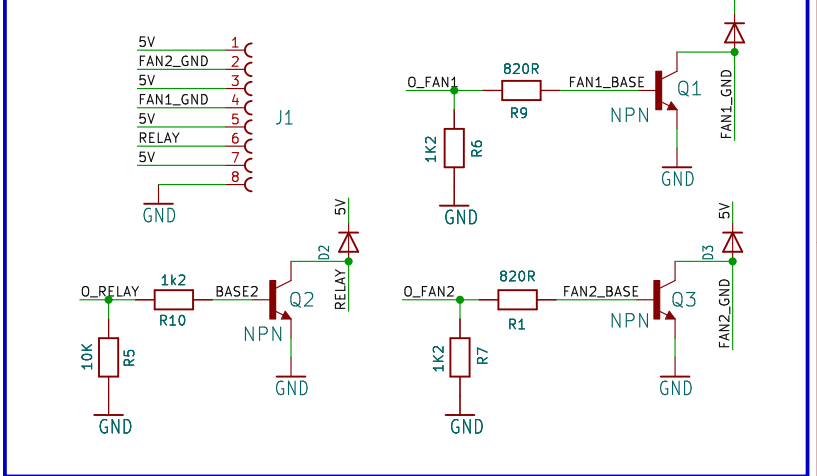
Buttons



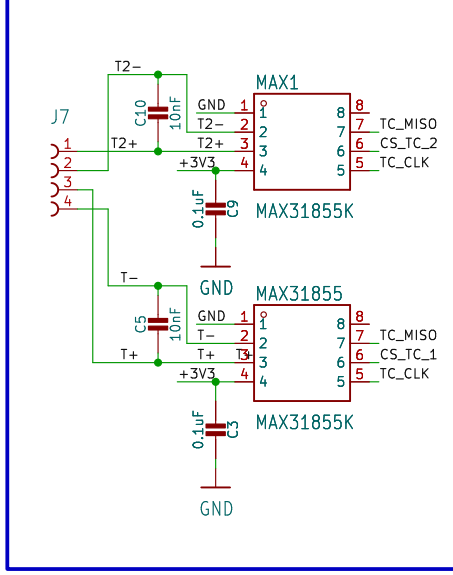
TFT Connector



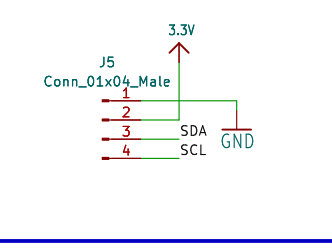
AUX & SSR OUTPUTS



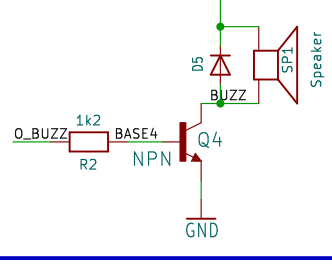
Thermocouples



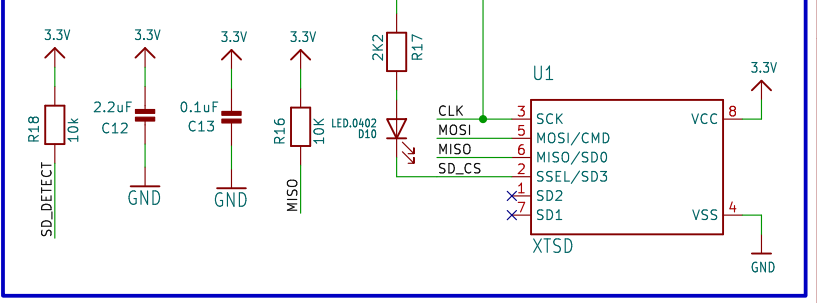
STEMMA/QT



Buzzer



uSD Card IC



Unexpected Maker	
Sheet: /	
File: RMP_2024_01.kicad_sch	
Title: Reflow Master Pro	
Size: User	Date: 2024-01-01
KiCad E.D.A. kicad 7.0.10	Rev: 2024-01
	Id: #/1